

T2 Mini Series

MINI NITROGEN GAS SPRINGS

IDEAL FOR:

- REPLACING COIL SPRINGS
- STOCK LIFTING & EJECTION

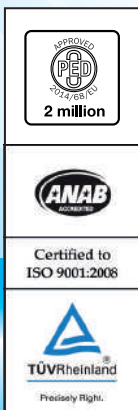


Table of Contents	Page
Introduction, Ordering Information	1
FOR REPLACING COIL SPRINGS	
T2-50	2
T2-70	4
T2-90	6
T2-180	8
T2-200	10
FOR STOCK LIFTING & EJECTION	
T2SS3-16 and 16-GM	12
T2SS2-24	13



General Information

HYSON headquartered in Brecksville, Ohio, is a world class engineering and manufacturing company that provides high-quality, safety-engineered force and motion control solutions for a wide range of applications and industries, including automotive, aerospace, appliance, medical and HVAC. HYSON partners with our customers to understand applications and provide the best solutions for each one. We are a full service force control provider for critical machine, vehicle and precision metal processing applications, meaning we can supply dependent upon each customer's needs, including: gas springs, cam systems, cushions, manifolds and knockout systems.

Our success lies with our commitment to continually improve ourselves, our processes and our products to ensure we meet or exceed our customers' expectations. Our ISO-9001, AS-9000 and PED certifications attest to our ongoing commitment to the highest standards of quality.

PED – Pressure Equipment Directive



HYSON gas springs are designed to meet customer expectations for reliability, safety and service lifetime. The design, manufacture and testing of HYSON gas springs has been approved according to the European Pressure Equipment Directive (2014/68/EU).

The Pressure Equipment Directive (PED) replaces all previous European legislation governing the design, manufacture and testing of pressure vessels.

T2 Mini Spring Value

- More force in less space
 - Reduce your die footprint and the number of springs.
- Force adjustability & increased productivity
 - Our gas springs are adjustable simply by modifying gas through the control panel while the die is in the press. With mechanical springs, the die must be pulled to replace worn or damaged springs, increasing downtime and lessening productivity.
- Balanced, consistent force
 - Our gas springs provide for a balanced pad and high quality parts while, as coil springs start to fatigue and break, the pad can become imbalanced resulting in poor quality parts.

Product Features

- Complete force adjustability
- Seven models with contact forces from 129 N to 2001 N/29 to 450 lbf, identifiable by color code
- Custom or pre-determined forces available to meet necessary force requirements
- Stroke lengths from 7 mm/.028 in to 125 mm/4.92 in
- Diameters available from 12 mm/0.47 in to 32 mm/1.26 in
- Variety of mounting options available

Advanced Safety Features

- T2-90, T2-180 and T2-200 have overstroke protection which vents internal gas pressure in a controlled manner, should the product be stroked beyond maximum capacity.

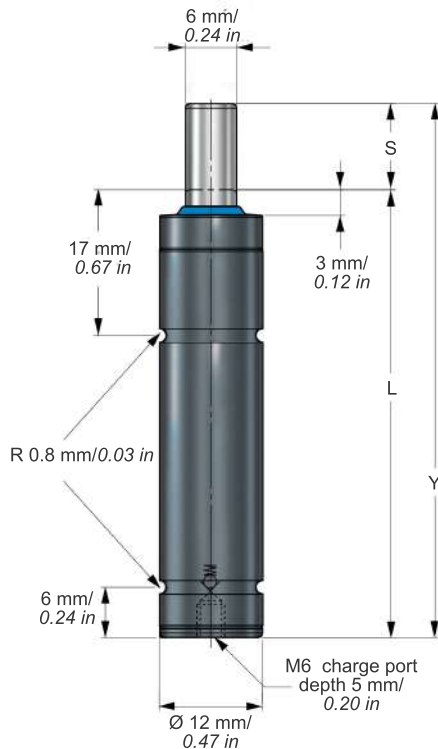


Overstroke Protection

Ordering Options

Mini Springs				
T2-XX	x	25	—	Yellow
Model		Stroke		Color
T2-50		See		Green
T2-70		Dimensional		Blue
T2-90		Information		Red
T2-180		Charts		Yellow
T2-200				Black
All gas springs shipped at maximum charge pressure unless otherwise specified.				

Stripper Springs						
T2SSX-XX	x	25	—	Thread Size	—	Yellow
Model		Stroke		Color		
T2SS3-16		15 - GM		M16 x 1.5 (Standard)		Green
				-OR-		Blue
T2SS3-16		See		M16 x 2 (Optional)		Red
T2SS2-24		Dimensional				Yellow
		Information				Black
		Charts				
All gas springs shipped at maximum charge pressure unless otherwise specified.						



Product Specifications

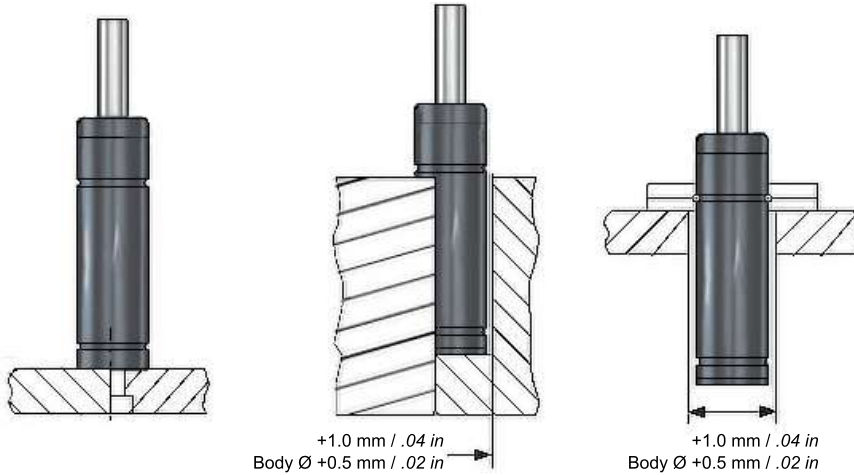
Pressure Medium Nitrogen Gas
 Max. Charging Pressure 180 bar/2,610 psi
 Min. Charging Pressure 20 bar/290 psi
 Operating Temperature 0 to 80°C/0 to 176°F
 Force Increase by Temperature ±0.3% per °C
 Max. Strokes per Minute ~40-100 (at 20°C)
 Max. Piston Rod Velocity 1.6 m/sec
 Max. Utilized Stroke 100%
 Repair Kit Not repairable
 Rod Surface Nitrided
 Tube Surface Black Oxide
 Inlet Valve 4018112
 Charge Fitting T2-770-T3

T2-50 Force					
Model	Color	Contact Force		Charge Pressure	
		N	lbf	bar	psi
T2-50	Green	130	29	45	650
T2-50	Blue	250	56	90	1,305
T2-50	Red	380	85	135	1,960
T2-50	Yellow	500	112	180	2,610
T2-50**	Black*	60-500	13-112	20-180	290-2,610

* Custom pressure. Please specify charging pressure or contact force required.
 ** Force to be set by the end user. Delivered with a pre-charge of 5-10 bar.

T2-50 Dimensional Information																
Order Number	Stroke		Full Stroke Force								Y		L		Weight	
			Green		Blue		Red		Yellow		±0.25	±.010				
	mm	in	N	lbf	N	lbf	N	lbf	N	lbf	mm	in	mm	in	kg	lbs
T2-50X7	7.0	0.28	149	34	299	67	448	101	597	134	56.0	2.20	49.0	1.93	0.03	0.07
T2-50X10	10.0	0.39	158	36	317	71	475	107	634	143	62.0	2.44	52.0	2.05	0.03	0.07
T2-50X13	12.7	0.50	164	37	329	74	493	111	657	148	67.4	2.65	54.7	2.15	0.03	0.07
T2-50X15	15.0	0.59	168	38	335	75	503	113	670	151	72.0	2.83	57.0	2.24	0.03	0.07
T2-50X19	19.0	0.75	172	39	344	77	517	116	689	155	80.0	3.15	61.0	2.40	0.04	0.09
T2-50X25	25.0	0.98	177	40	354	80	530	119	707	159	92.0	3.62	67.0	2.64	0.04	0.09
T2-50X38	38.1	1.50	183	41	365	82	548	123	730	164	118.0	4.65	80.0	3.15	0.05	0.11
T2-50X50	50.0	1.97	185	42	371	83	556	125	742	167	142.0	5.59	92.0	3.62	0.05	0.11
T2-50X63	63.5	2.50	197	44	395	89	592	133	789	178	172.0	6.77	108.5	4.27	0.06	0.13
T2-50X75	75.0	2.95	197	44	394	89	591	133	788	178	195.0	7.68	120.0	4.72	0.07	0.15
T2-50X80	80.0	3.15	207	47	414	93	620	139	827	186	205.0	8.07	125.0	4.80	0.07	0.15
T2-50X100	100.0	3.94	204	46	409	92	613	138	817	184	245.0	9.65	145.0	5.71	0.08	0.18
T2-50X125	125.0	4.92	202	45	405	91	607	137	810	182	295.0	11.61	170.0	6.69	0.09	0.20

Mounting Options



Base Mount

Base mount to be used for strokes from 7-25 mm / .28-.98 in only.

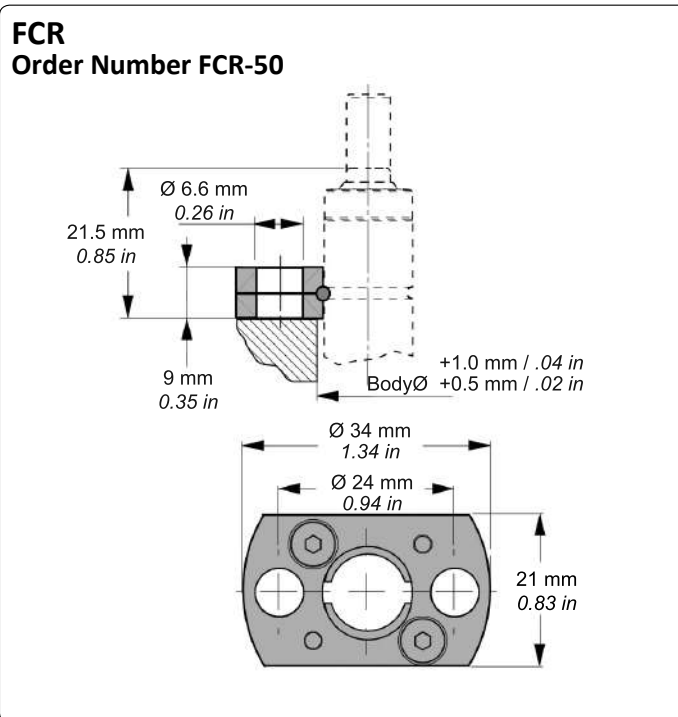
Drop-In Mount

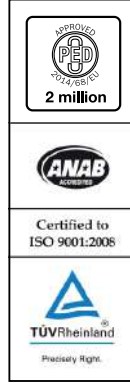
Top Mount

FCR-50

Mounts

NOTE: All flanges are sold separately.





Product Specifications

Pressure Medium..... Nitrogen Gas
 Max. Charging Pressure 180 bar/2,610 psi
 Min. Charging Pressure 20 bar/290 psi
 Operating Temperature 0 to 80°C/0 to 176°F
 Force Increase by Temperature ±0.3% per °C
 Max. Strokes per Minute ~100 – 150 (at 20°C)
 Max. Piston Rod Velocity 1.6 m/sec
 Max. Utilized Stroke 100%
 Repair Kit Not repairable
 Rod Surface Nitrided
 Tube Surface Black Oxide
 Inlet Valve 4018112
 Charge Fitting T2-770-T3

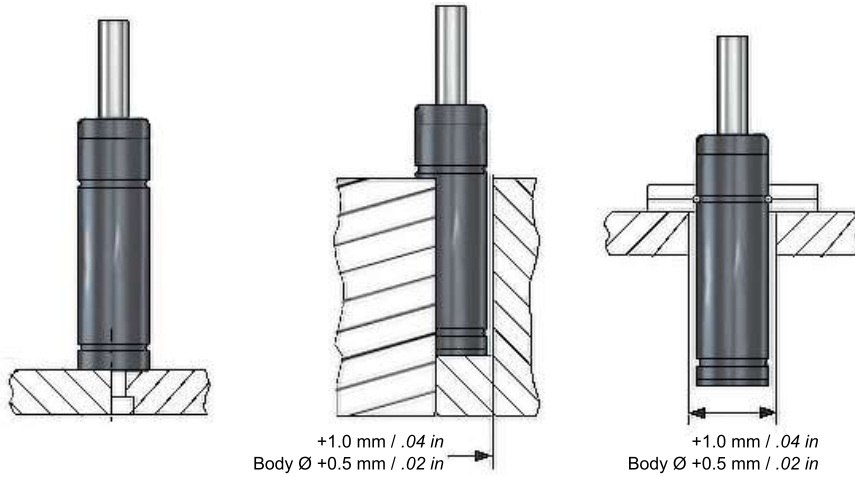
T2-70 Force					
Model	Color	Contact Force		Charge Pressure	
		N	lbf	bar	psi
T2-70	Green	180	40	45	650
T2-70	Blue	350	80	90	1,305
T2-70	Red	500	115	135	1,960
T2-70	Yellow	700	160	180	2,610
T2-70**	Black*	80-700	18-160	20-180	290-2,610

* Custom pressure. Please specify charging pressure or contact force required.
 ** Force to be set by the end user. Delivered with a pre-charge of 5-10 bar.

T2-70 Dimensional Information

Order Number	Stroke		Full Stroke Force								Y		L		Weight	
			Green		Blue		Red		Yellow		±0.25	±.010				
	mm	in	N	lbf	N	lbf	N	lbf	N	lbf	mm	in	mm	in	kg	lbs
T2-70X7	7.0	0.28	216	49	432	97	648	146	865	195	56.0	2.20	49.0	1.93	0.05	0.11
T2-70X10	10.0	0.39	224	50	447	101	671	151	895	201	62.0	2.44	52.0	2.05	0.05	0.11
T2-70X13	12.7	0.50	228	51	457	103	685	154	914	206	68.0	2.68	55.0	2.17	0.05	0.11
T2-70X15	15.0	0.59	232	52	463	104	695	156	927	209	72.0	2.83	57.0	2.24	0.05	0.11
T2-70X19	19.0	0.75	236	53	471	106	707	159	943	212	80.0	3.15	61.0	2.40	0.06	0.13
T2-70X25	25.0	0.98	240	54	480	108	720	162	961	216	92.0	3.62	67.0	2.64	0.06	0.13
T2-70X38	38.1	1.50	258	58	516	116	774	174	1,032	232	118.2	4.65	80.1	3.15	0.07	0.15
T2-70X50	50.0	1.97	258	58	516	116	774	174	1,033	232	142.0	5.59	92.0	3.62	0.08	0.18
T2-70X63	63.5	2.50	273	61	546	123	819	184	1,092	246	172.0	6.77	108.5	4.27	0.09	0.20
T2-70X75	75.0	2.95	270	61	541	122	811	182	1,082	243	195.0	7.68	120.0	4.72	0.10	0.22
T2-70X80	80.0	3.15	270	61	539	121	809	182	1,079	243	205.0	8.07	125.0	4.92	0.11	0.24
T2-70X100	100.0	3.94	267	60	534	120	802	180	1,069	240	245.0	9.65	145.0	5.71	0.12	0.26
T2-70X125	125.0	4.92	265	60	531	119	796	179	1,062	239	295.0	11.61	170.0	6.69	0.14	0.31

Mounting Options



Base Mount

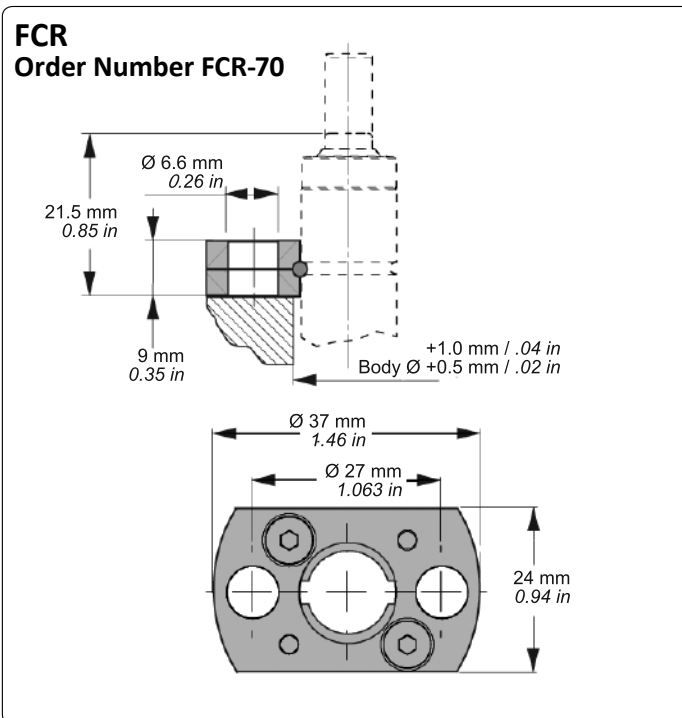
Base mount to be used for strokes from 7-25 mm / .28-.98 in only.

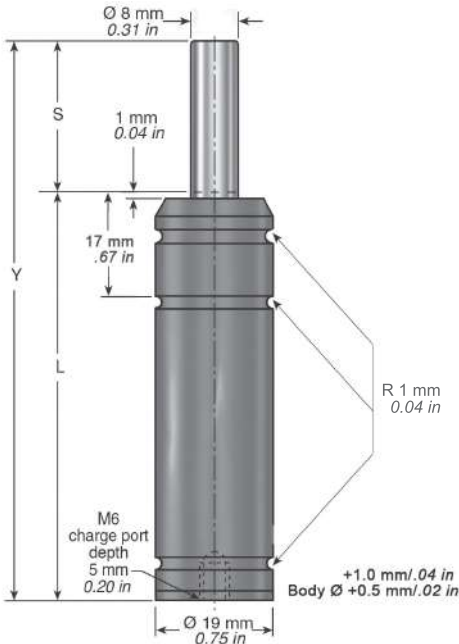
Drop-In Mount

Top Mount
FCR-70

Mounts

NOTE: All flanges are sold separately.



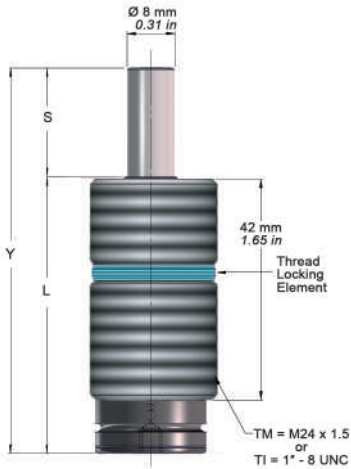


Product Specifications

Pressure Medium.....	Nitrogen Gas
Max. Charging Pressure.....	180 bar/2,610 psi
Min. Charging Pressure.....	25 bar/360 psi
Operating Temperature.....	0 to 80°C/0 to 176°F
Force Increase by Temperature.....	±0.3% per °C
Max. Strokes per Minute.....	~100 – 150 (at 20°C)
Max. Piston Rod Velocity.....	1.6 m/sec
Max. Utilized Stroke.....	100%
Repair Kit.....	Not repairable
Rod Surface.....	Nitrided
Tube Surface.....	Black Oxide
Inlet Valve.....	4018112
Charge Fitting.....	T2-770-T3



Installation tool for threaded sleeve
Order No. 3020618



T2-90 Force					
Model	Color	Contact Force		Charge Pressure	
		N	lbf	bar	psi
T2-90	Green	300	67	60	870
T2-90	Blue	500	112	100	1,450
T2-90	Red	700	157	140	2,030
T2-90	Yellow	900	202	180	2,610
T2-90**	Black*	125-900	67-202	25-180	260-2,610

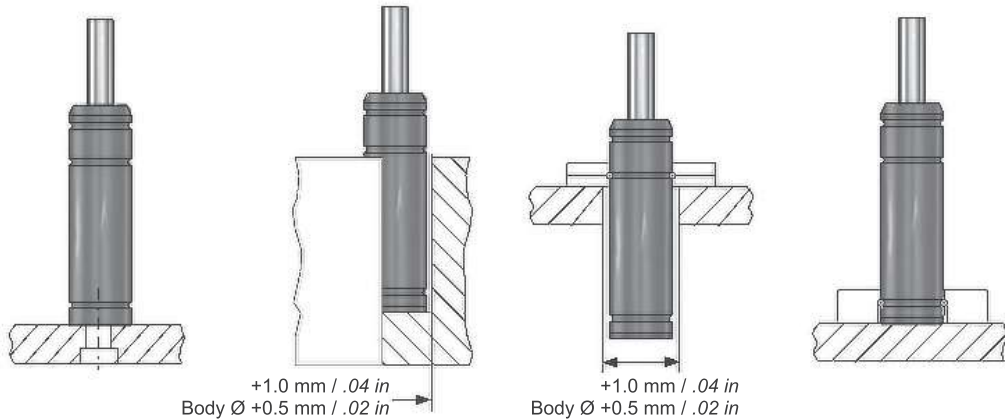
* Custom pressure. Please specify charging pressure or contact force required.
** Force to be set by the end user. Delivered with a pre-charge of 5-10 bar.

T2-90 Dimensional Information

Order Number	Stroke S		Full Stroke Force								Y		L		Weight	
			Green		Blue		Red		Yellow		±0.25	±.010				
	mm	in	N	lbf	N	lbf	N	lbf	N	lbf	mm	in	mm	in	kg	lbs
T2-90X7	7.0	0.28	530	119	880	199	1,200	270	1,600	360	56.0	2.20	49.0	1.93	0.07	0.15
T2-90X10	10.0	0.39	470	105	780	175	1,100	247	1,400	315	62.0	2.44	52.0	2.05	0.08	0.18
T2-90X15	15.0	0.59	440	99	730	164	1,000	225	1,300	292	72.0	2.83	57.0	2.24	0.08	0.18
T2-90X25	25.0	0.98	420	94	700	157	980	220	1,300	292	92.0	3.62	67.0	2.64	0.08	0.18
T2-90X38	38.1	1.50	410	92	690	155	970	218	1,200	270	118.2	4.65	80.1	3.15	0.10	0.22
T2-90X50	50.0	1.97	410	92	680	154	960	216	1,200	279	142.0	5.59	92.0	3.62	0.12	0.26
T2-90X63*	63.5	2.50	410	92	680	154	950	215	1,200	270	172.0	6.77	108.5	4.27	0.13	0.29
T2-90X80	80.0	3.15	410	92	680	154	950	215	1,200	270	205.0	8.07	125.0	4.92	0.14	0.31
T2-90X100	100.0	3.94	410	92	670	152	940	213	1,200	270	245.0	9.65	145.0	5.71	0.17	0.37
T2-90X125	125.0	4.92	410	92	670	152	940	213	1,200	270	295.0	11.61	170.0	6.69	0.20	0.44

*T2-90X63 with a Y dimension of 169 mm/6.65 in available as special order to service existing dies only.

Mounting Options



Base Mount
Base mount to be used
for strokes from 7-25 mm /
0.28-0.98 in only.

Drop-In Mount

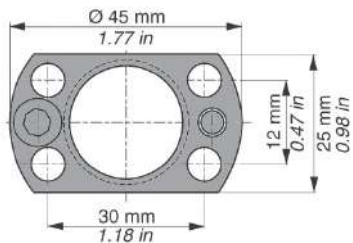
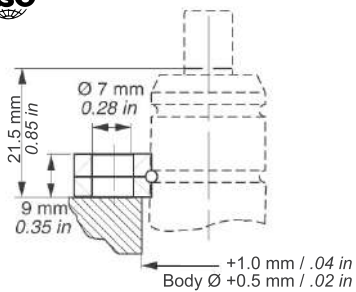
Top Mounts
FCR-90
FCR-19

Bottom Mount
FM-90
Bottom mount to be used for
strokes from 7-25 mm /
0.28-0.98 in only.

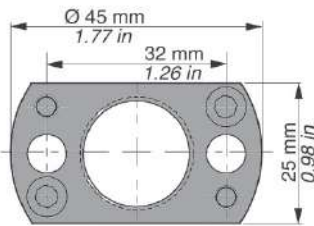
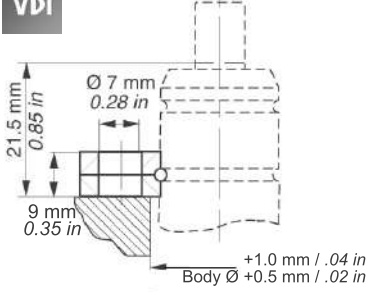
Mounts

NOTE: All flanges are sold separately.

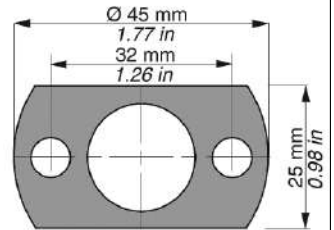
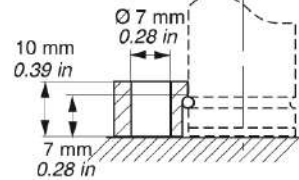
FCR-90
Order Number FCR-90

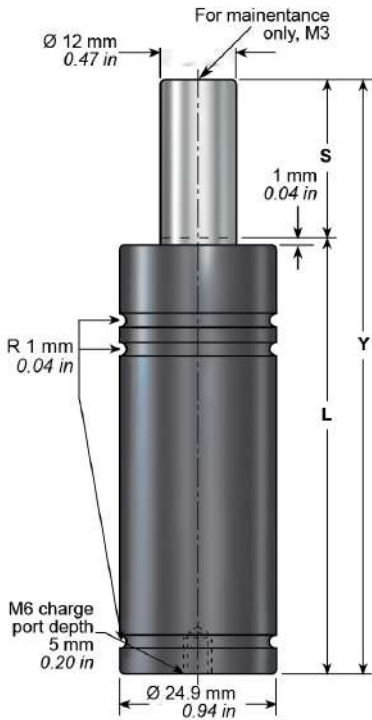


FCR-19
Order Number FCR-19-VDI2



FM-90
Order Number FM-90





Product Specifications

Pressure Medium..... Nitrogen Gas
 Max. Charging Pressure..... 180 bar/2,610 psi
 Min. Charging Pressure..... 25 bar/360 psi
 Operating Temperature..... 0 to 80°C/0 to 176°F
 Force Increase by Temperature..... ±0.3% per °C
 Max. Strokes per Minute..... ~80 – 100 (at 20°C)
 Max. Piston Rod Velocity..... 1.6 m/sec
 Max. Utilized Stroke..... 100%
 Repair Kit..... 3116385
 Rod Surface..... Nitrided
 Tube Surface..... Black Oxide
 Inlet Valve..... 4018112
 Charge Fitting..... T2-770-T3

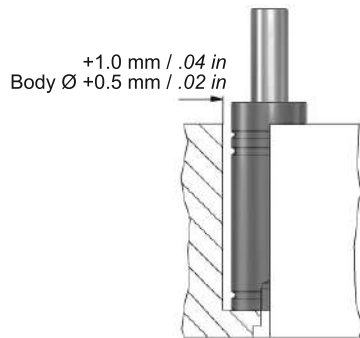
T2-180 Force					
Model	Color	Contact Force		Charge Pressure	
		N	lbf	bar	psi
T2-180	Green	500	112	45	655
T2-180	Blue	1,000	225	90	1,305
T2-180	Red	1,500	340	135	1,960
T2-180	Yellow	2,000	450	180	2,610
T2-180**	Black*	280-2,000	112-450	25-180	365-2,610

* Custom pressure. Please specify charging pressure or contact force required.
 ** Force to be set by the end user. Delivered with a pre-charge of 5-10 bar.

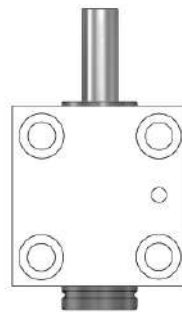
T2-180 Dimensional Information

Order Number	Stroke S		Full Stroke Force								Y		L		Weight	
			Green		Blue		Red		Yellow		±0.25	±.010				
	mm	in	N	lbf	N	lbf	N	lbf	N	lbf	mm	in	mm	in	kg	lbs
T2-180X10	10.0	0.39	770	173	1,530	344	2,300	517	3,060	689	62.0	2.44	52.0	2.05	0.14	0.31
T2-180X12.7	12.7	0.50	770	173	1,530	344	2,300	517	3,070	690	67.4	2.65	54.7	2.15	0.15	0.33
T2-180X15	15.0	0.59	770	173	1,540	346	2,310	520	3,070	690	72.0	2.83	57.0	2.24	0.16	0.35
T2-180X16	16.0	0.63	770	173	1,540	346	2,310	520	3,070	690	74.0	2.91	58.0	2.28	0.16	0.35
T2-180X25	25.0	0.98	770	173	1,540	346	2,310	520	3,080	692	92.0	3.62	67.0	2.64	0.18	0.40
T2-180X38	38.1	1.50	770	173	1,540	346	2,320	522	3,090	695	118.2	4.65	80.1	3.15	0.20	0.44
T2-180X50	50.0	1.97	770	173	1,540	346	2,320	522	3,090	695	142.0	5.59	92.0	3.62	0.22	0.49
T2-180X63	63.5	2.50	760	171	1,520	342	2,270	511	3,020	679	172.0	6.77	108.5	4.27	0.26	0.57
T2-180X80	80.0	3.15	760	171	1,520	342	2,280	513	3,040	683	205.0	8.07	122.0	4.80	0.30	0.66
T2-180X100	100.0	3.94	760	171	1,520	342	2,290	515	3,050	686	245.0	9.65	142.0	5.59	0.33	0.73
T2-180X125	125	4.92	760	171	1,530	344	2,290	515	3,060	689	295	11.61	170	6.69	0.39	0.86

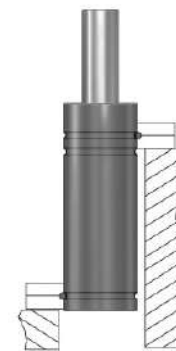
Mounting Options



**Drop-In
Mount & Base Mount**



**Side Mount
SM-180**



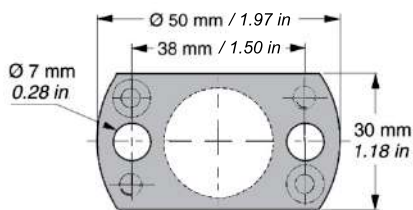
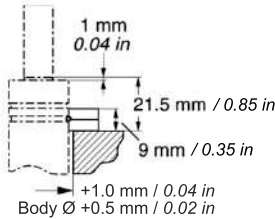
**Top & Bottom Mounts
FCR-25
FCR-180**

Mounts

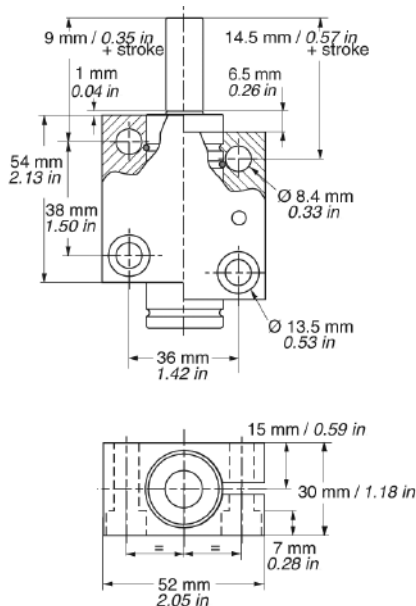
NOTE: All flanges are sold separately.

FCR-25
Order Number FCR-25

VDI

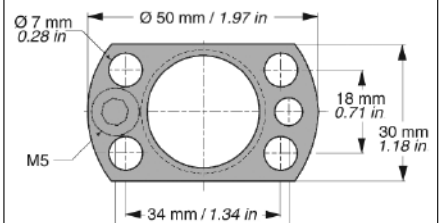
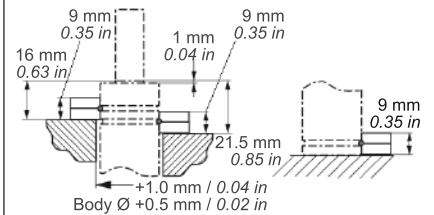


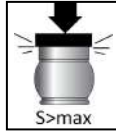
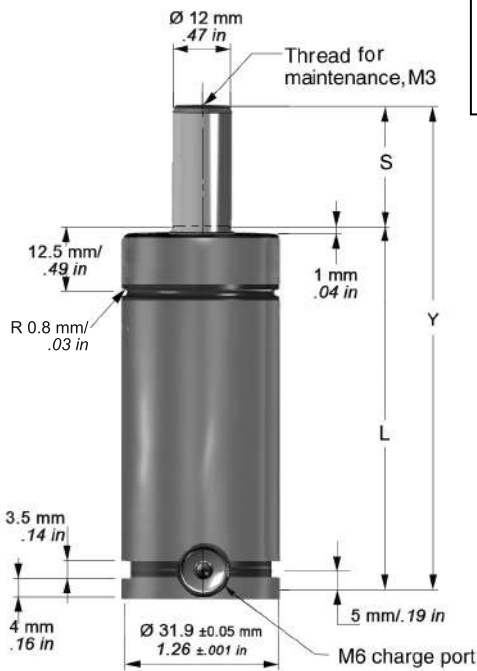
SM
Order Number SM-180



FCR-180
Order Number FCR-180

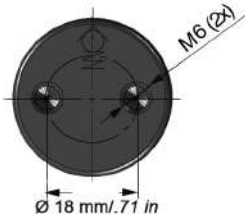
ISO





Product Specifications

Pressure Medium..... Nitrogen Gas
 Max. Charging Pressure 180 bar/2,610 psi
 Min. Charging Pressure..... 25 bar/360 psi
 Operating Temperature 0 to 80°C/0 to 176°F
 Force Increase by Temperature ±0.3% per °C
 Max. Strokes per Minute ~80 – 100 (at 20°C)
 Max. Piston Rod Velocity 1.6 m/sec
 Max. Utilized Stroke 100%
 Repair Kit..... 3116385
 Rod Surface..... Nitrided
 Tube Surface Black Oxide
 Inlet Valve 4018112
 Charge Fitting..... T2-770-T3

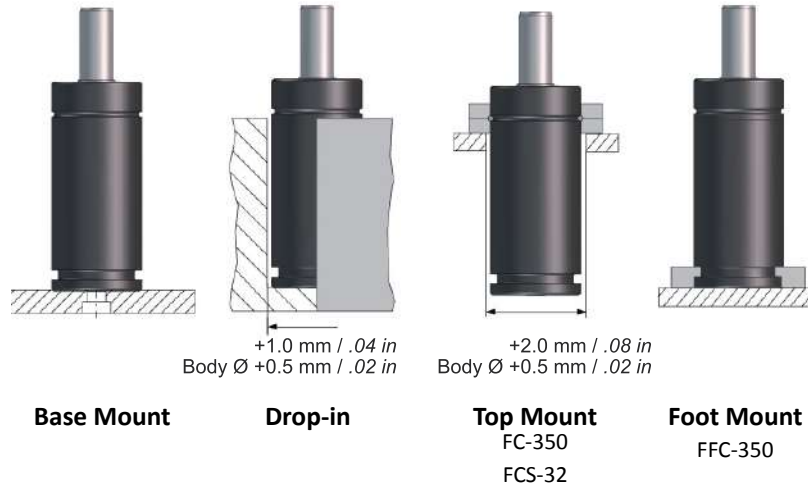


T2-200 Force					
Model	Color	Contact Force		Charge Pressure	
		N	lbf	bar	psi
T2-200	Red	1,500	340	135	1,960
T2-200**	Black*	280-2,000	63-450	25-180	290-2,610

* Custom pressure. Please specify charging pressure or contact force required.
 ** Force to be set by the end user. Delivered with a pre-charge of 5-10 bar.

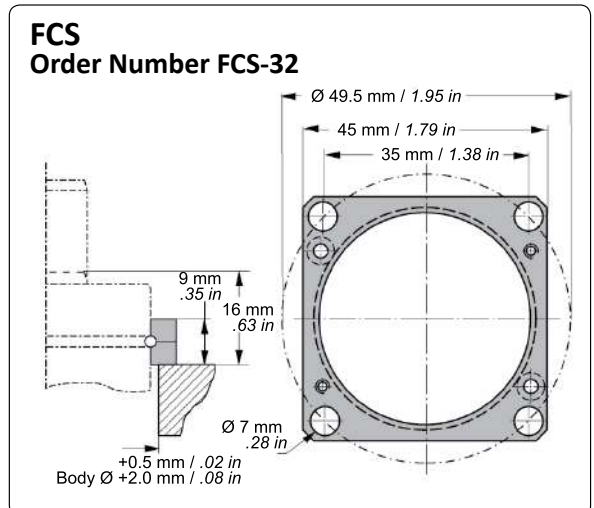
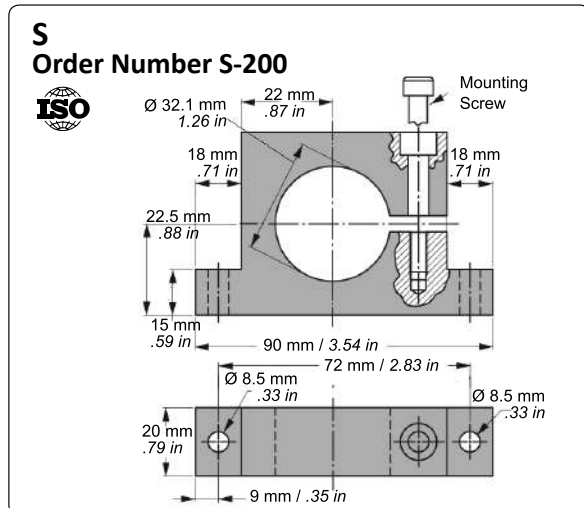
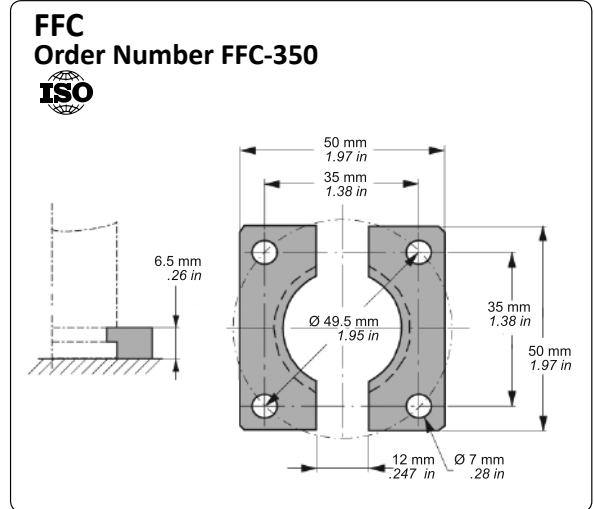
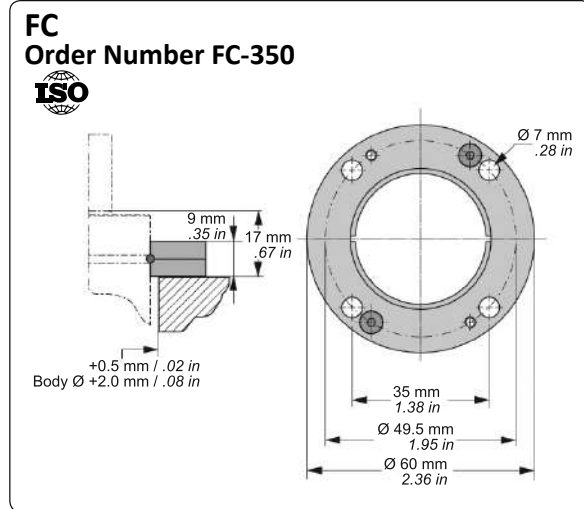
T2-200 Dimensional Information										
Order Number	Stroke S		Full Stroke Force		Y		L		Weight	
			Red		±0.25	±.010				
	mm	in	N	lbf	mm	in	mm	in	kg	lbs
T2-200X10	10.0	0.39	2,300	517	70.0	2.76	60.0	2.36	0.30	0.66
T2-200X12.7	12.7	0.50	2,300	517	75.4	2.97	62.7	2.47	0.31	0.68
T2-200X16	16.0	0.63	2,310	519	82.0	3.23	66.0	2.60	0.33	0.73
T2-200X25	25.0	0.98	2,310	519	100.0	3.94	75.0	2.95	0.38	0.84
T2-200X38.1	38.1	1.50	2,320	522	126.2	4.97	88.1	3.47	0.43	0.95
T2-200X50	50.0	1.97	2,320	522	150.0	5.91	100.0	3.94	0.48	1.06
T2-200X63.5	63.5	2.50	2,270	510	177.0	6.97	113.5	4.47	0.54	1.19
T2-200X80	80.0	3.15	2,280	513	210.0	8.27	130.0	5.12	0.62	1.37
T2-200X100	100.0	3.94	2,290	515	250.0	9.84	150.0	5.91	0.71	1.57
T2-200X125	125.0	4.92	2,290	515	300.0	11.81	175.0	6.89	0.83	1.83

Mounting Options



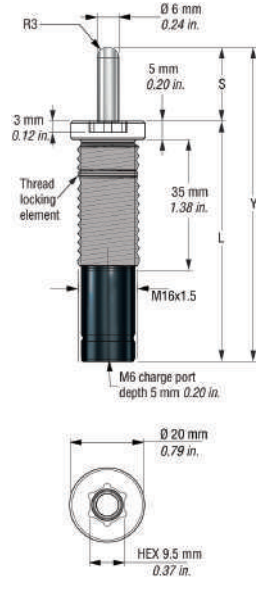
Mounts

NOTE: All flanges are sold separately.





T2SS3-16



T2SS3-16-GM
(Includes 3m/0.12 in. Shoulder, as per GM Standard)

Product Specifications

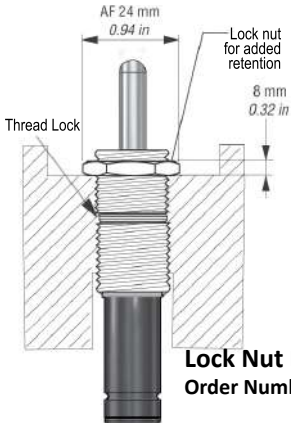
Pressure Medium Nitrogen Gas
 Max. Charging Pressure 150 bar/2,175 psi
 Min. Charging Pressure 12 bar/174 psi
 Operating Temperature 0 to 80°C/0 to 176°F
 Force Increase by Temperature ±0.3% per °C
 Max. Strokes per Minute ~100 – 150 (at 20°C)
 Max. Piston Rod Velocity 1.6 m/sec
 Max. Utilized Stroke 100%
 Repair Kit Not repairable
 Rod Surface Nitrided
 Tube Surface Black Oxide
 Inlet Valve 4018112
 Charge Fitting T2-770-T3



Installation Tool for T2SS3-16X15-GM
 Order Number T2SS16-IT

Mount

NOTE: All flanges are sold separately.



Lock Nut Retained Mount
 Order Number 503681 for M16 x 1.5
 503722 for M16 x 2

T2SS3-16 Force

Model	Color	Contact Force		Charge Pressure	
		N	lbf	bar	psi
T2SS3-16	Green	57	13	20	290
T2SS3-16	Blue	110	25	40	580
T2SS3-16	Red	210	47	75	1,090
T2SS3-16	Yellow	420	95	150	2,175
T2SS3-16**	Black*	40-420	9-95	20-150	290-2,175

* Custom pressure. Please specify charging pressure or contact force required.
 ** Force to be set by the end user. Delivered with a pre-charge of 5-10 bar.

T2SS3-16 Dimensional Information

Order Number	Stroke S		Full Stroke Force								Y		L		Weight	
			Green		Blue		Red		Yellow		±0.25	±.010				
	mm	in	N	lbf	N	lbf	N	lbf	N	lbf	mm	in	mm	in	Kg	lbs
T2SS3-16X1.5X10	10.0	0.39	91	20	180	40	335	75	670	150	65.0	2.56	55.0	2.17	0.06	0.13
T2SS3-16X15-GM ¹	15.0	0.59									75.0	2.95	60.0	2.36	0.06	0.13
T2SS3-16X1.5X20	20.0	0.79									85.0	3.35	65.0	2.56	0.07	0.15
T2SS3-16X1.5X30	30.0	1.18									105.0	4.13	75.0	2.95	0.07	0.15
T2SS3-16X1.5X40	40.0	1.57									125.0	4.92	85.0	3.35	0.08	0.18
T2SS3-16X1.5X50	50.0	1.97									145.0	5.71	95.0	3.74	0.08	0.18
T2SS3-16X1.5X60	60.0	2.36									165.0	6.50	105.0	4.13	0.09	0.20
T2SS3-16X1.5X70	70.0	2.76									185.0	7.28	115.0	4.53	0.10	0.22
T2SS3-16X1.5X80	80.0	3.15									205.0	8.07	125.0	4.92	0.11	0.24
T2SS3-16X1.5X100	100.0	3.94									245.0	9.65	145.0	5.71	0.11	0.24
T2SS3-16X1.5X125	125.0	4.92									295.0	11.61	170.0	6.69	0.13	0.29

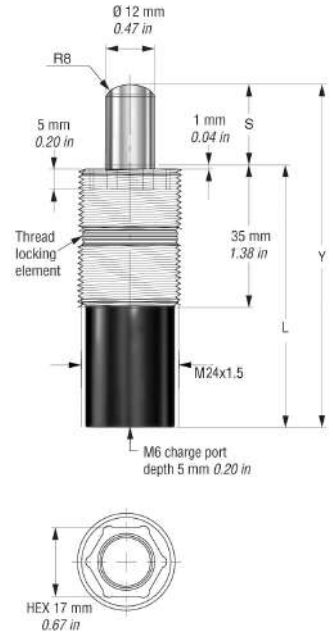
¹ Additional stroke lengths available.

Product Specifications

Pressure Medium..... Nitrogen Gas
 Max. Charging Pressure 150 bar/2,175 psi
 Min. Charging Pressure 6 bar/87 psi
 Operating Temperature 0 to 80°C/0 to 176°F
 Force Increase by Temperature ±0.3% per °C
 Max. Strokes per Minute ~30 – 80 (at 20°C)
 Max. Piston Rod Velocity 1.6 m/sec
 Max. Utilized Stroke 100%
 Repair Kit Not repairable
 Rod Surface Nitrided
 Tube Surface Black Oxide
 Inlet Valve 4018112
 Charge Fitting T2-770-T3



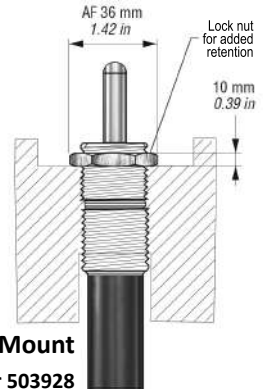
**Installation Tool for
T2SS3-16 and T2SS2-24
Order Number 3021000**



**Rounded rod provides optimal performance
with side loading up to 5 degrees**

Mount

NOTE: All flanges are sold separately.



**Lock Nut Retained Mount
Order Number 503928**

T2SS2-24 Force					
Model	Color	Contact Force		Charge Pressure	
		N	lbf	bar	psi
T2SS2-24	Green	230	52	20	290
T2SS2-24	Blue	450	101	40	580
T2SS2-24	Red	850	191	75	1,090
T2SS2-24	Yellow	1,700	382	150	2,175
T2SS3-16**	Black*	65-1,700	52-382	6-150	290-2,175

* Custom pressure. Please specify charging pressure or contact force required.
 ** Force to be set by the end user. Delivered with a pre-charge of 5-10 bar.

T2SS2-24 Dimensional Information																
Order Number	Stroke S		Full Stroke Force								Y		L		Weight	
			Green		Blue		Red		Yellow		±0.25	±.010				
	mm	in	N	lbf	N	lbf	N	lbf	N	lbf	mm	in	mm	in.	Kg	lbs
T2SS2-24X10	10.0	0.39	390	90	800	180	1,500	340	2,900	650	65.0	2.56	55	2.17	0.14	0.31
T2SS2-24X20	20.0	0.79									85.0	3.35	65	2.56	0.15	0.33
T2SS2-24X30	30.0	1.18									105.0	4.13	75	2.95	0.17	0.37
T2SS2-24X40	40.0	1.57									125.0	4.92	85	3.35	0.19	0.42
T2SS2-24X50	50.0	1.97									145.0	5.71	95	3.74	0.21	0.46
T2SS2-24X60	60.0	2.36									165.0	6.50	105	4.13	0.23	0.51
T2SS2-24X70	70.0	2.76									185.0	7.28	115	4.53	0.25	0.55
T2SS2-24X80	80.0	3.15									205.0	8.07	125	4.92	0.27	0.60
T2SS2-24X100	100.0	3.94									245.0	9.65	145	5.71	0.31	0.68
T2SS2-24X125	125.0	4.92									295.0	11.61	170	6.69	0.35	0.77



HYSON
METAL FORMING SOLUTIONS™

Sales partner in Mexico:



ACAT MEXICANA

Ave. Regio Parque #200 Regio Parque Industrial
Apodaca, Nuevo León, México CP. 66633



acat@acatmexicana.com



TEL. 81 8354 8910



www.acatmexicana.com